

# SGC Technologies, Inc.

## PRODUCT SPECIFICATION FOR INFORMATION

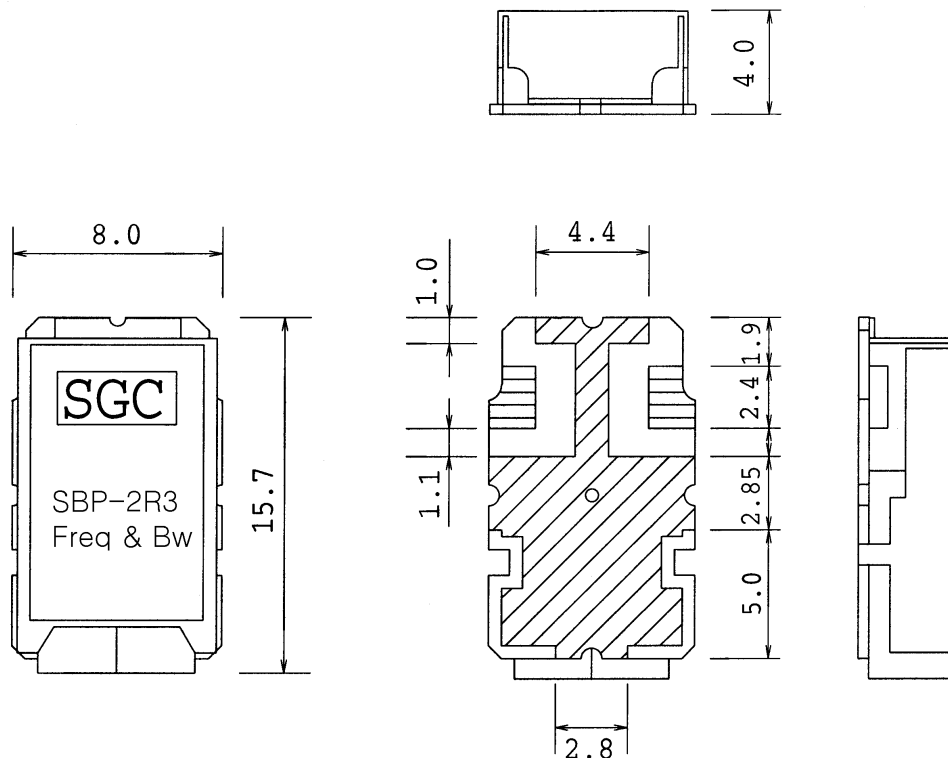
Product Name : Band Pass Filter

Part Number: SBP-2R3-1845BP20B

### 1.Electrical Specification.

Parameter	Specification
Center frequency	1845 MHz
Pole	2
Bandwidth(BW)	Fo ±10 MHz
Insertion Loss	3.0 dB max
VSWR in BW	1.6 max
Ripple in BW	0.5 dB max
Attenuation	1685MHz at 40dB min 1695MHz at 40dB min
In/Out Impedance	50 ohm
Relative Humidity	0 ~ 95

### 2.Dimensions.



TOLERANCE UNLESS  
OTHERWISE SPECIFIED : +/-0.2  
DIMENSION : mm

Web : [www.sgtech.co.kr](http://www.sgtech.co.kr)

Tel : 82-31-884-0236(212) / Fax : 82-31-884-0239

### 3.Graph.

